

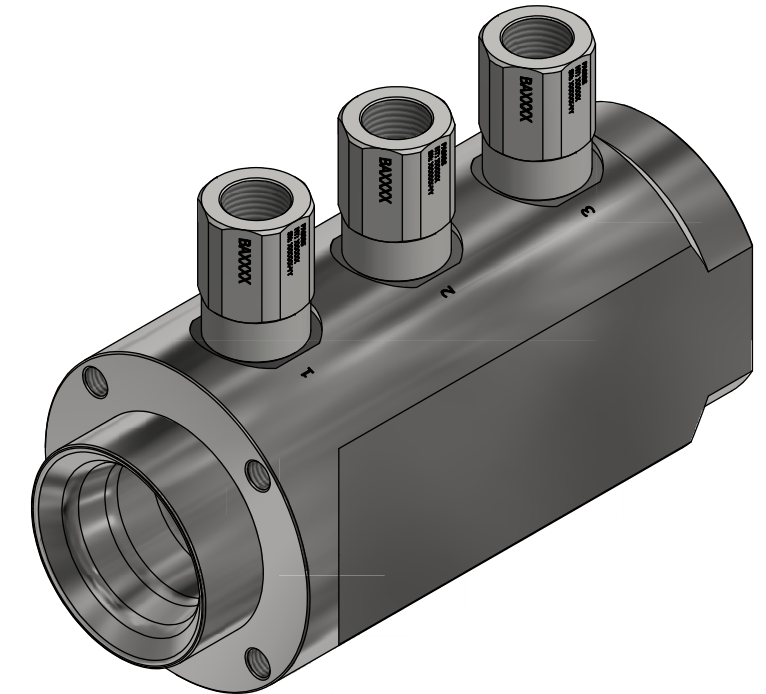
NOTE: 1
 DESIGN CODE:
 API 17H
 ISO 13628-8

NOTE: 2
 TECHNICAL CLASSIFICATION:
 Article Type: 001-Hot Stabs
 Main Group: 1.03. Ø43 Hot Stab
 Intermediate Group: 1.2.02. Receptacle
 Sub Group: 1.2.6.03. Triple

NOTE: 3
 INTERFACE INFORMATION:
 Pressure Rating Bar: 690
 Design Water Depth: N/A
 Material: Intervention
 Weight: 7,2 kg
 Volume: 0,92 dm³
 Submerged Weight: 6,28 kg
 Surface Area: 1447 cm²
 Hydraulic: 1/2" BSP
 Mechanical: 4xM10@PCD 86
 Electrical: N/A
 Com. & Protocol: N/A

NOTE: 4
 SPAREPARTS:
 BA5289

NOTE: 5
 ADDITIONAL INFORMATION:
 Other hydraulic port interface can be delivered on customers request.



Rev.	Date	Reason for issue	Revision change	Made	Chk'd	Appr.
02	6.5.2014	9-IFU (Issued for Use)		WTJ	HNJ	WTJ
01	12.9.2013	7-IFC (Issued for Construction)		TBA	LAE	HNJ

BLUE LOGIC

This Drawing is the Property of Blue Logic AS © and must Not be Loaned, Reproduced or Transferred to others without written Permission

Dwg Scale:	NTS
Dwg Proj:	
Dwg Format:	A3

Drawing title:	Ø43 TP Rec 10k Interv wCV BSP 1/2" ID7mm	
Drawing number:	BA3990	Rev: 02